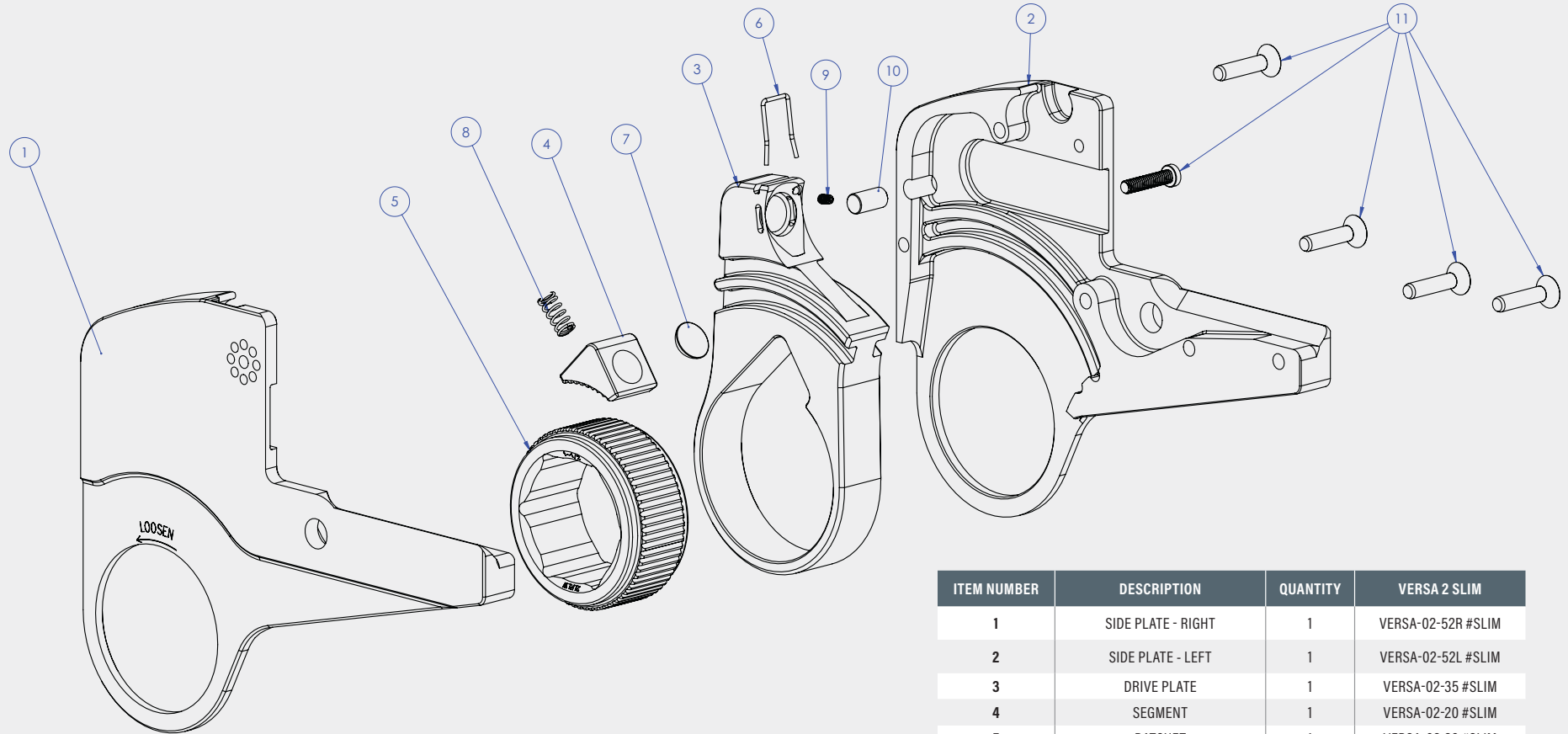


VERSA® SLIM Link

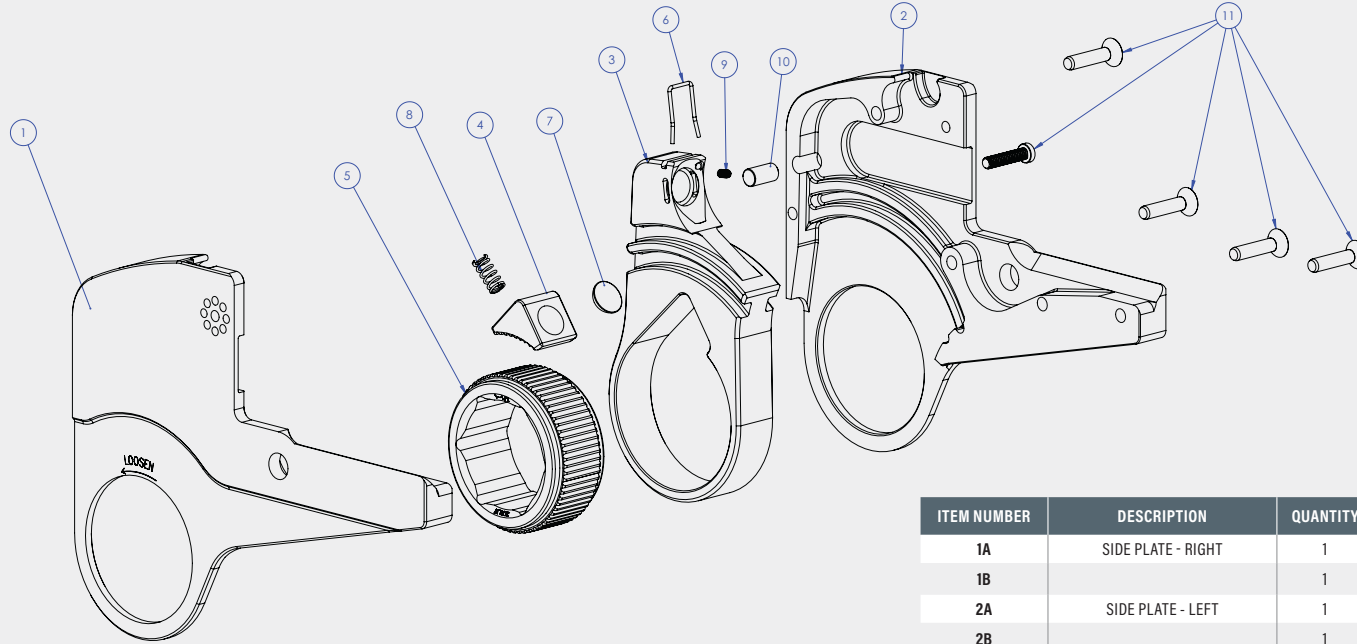
CURRENT LINK - VERSA2 SLIM



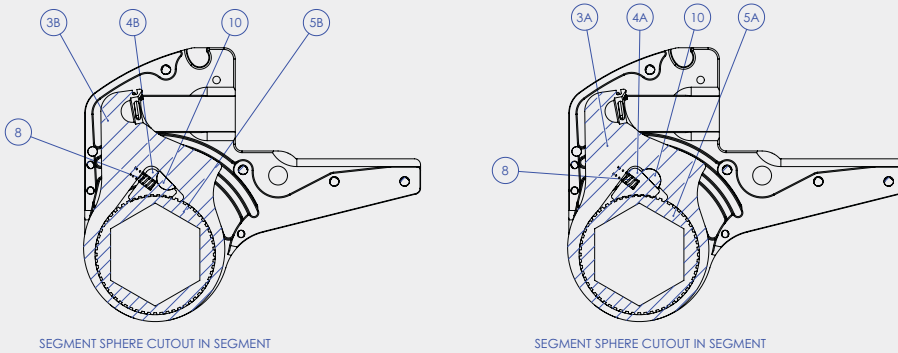
ITEM NUMBER	DESCRIPTION	QUANTITY	VERSA 2 SLIM
1	SIDE PLATE - RIGHT	1	VERSA-02-52R #SLIM
2	SIDE PLATE - LEFT	1	VERSA-02-52L #SLIM
3	DRIVE PLATE	1	VERSA-02-35 #SLIM
4	SEGMENT	1	VERSA-02-20 #SLIM
5	RATCHET	1	VERSA-02-28 #SLIM
6	SPRING WIRE	1	VERSA-02-37
7	SEGMENT SPHERE	1	VERSA-02-21
8	DRIVE SEGMENT SPRING	1	VERSA-02-27
9	SET SCREW	1	VERSA-02-38
10	RUBBER BUMPER	1	VERSA-02-42
11	SCREW KIT	1	VERSA-02-50SLIM

VERSA® SLIM Link

CURRENT LINK - VERSA4 SLIM, VERSA8 SLIM



LEGACY LINKS - VERSA4 SLIM, VERSA8 SLIM



ITEM NUMBER	DESCRIPTION	QUANTITY	VERSA 4 SLIM	VERSA 8 SLIM
1A	SIDE PLATE - RIGHT	1	VERSA-04-52R-#SLIM	VERSA-08-52R-#SLIM
1B		1	VERSA-04-52B-R#SLIM	VERSA-04-52B-R#SLIM
2A	SIDE PLATE - LEFT	1	VERSA-04-52L-#SLIM	VERSA-08-52L-#SLIM
2B		1	VERSA-04-52B-L#SLIM	VERSA-08-52B-R#SLIM
3A	DRIVE PLATE	1	VERSA-04-35-#SLIM	VERSA-08-35-#SLIM
3B		1	VERSA-04-35B-#SLIM	VERSA-08-35B-#SLIM
3C		1	VERSA-04-35C-#SLIM	VERSA-08-35C-#SLIM
4A	SEGMENT	1	VERSA-04-20-#SLIM	VERSA-08-20-#SLIM
4B		1	VERSA-04-20B-#SLIM	VERSA-08B-20-#SLIM
4C		1	VERSA-04-20C-#SLIM	VERSA-08-20C-#SLIM
5A	RATCHET	1	VERSA-04-28-#SLIM	VERSA-08-28-#SLIM
5B		1	VERSA-04-28B-#SLIM	VERSA-08-28B-#SLIM
5C		1	VERSA-04-28C-#SLIM	VERSA-08-28C-#SLIM
6	SPRING WIRE	1	VERSA-04-37	VERSA-08-37
7	SEGMENT SPHERE	1	VERSA-04-21	VERSA-08-21
8	DRIVE SEGMENT SPRING	1	VERSA-04-27	VERSA-08-27
9	SET SCREW	1	VERSA-04-38	VERSA-08-38
10	RUBBER BUMPER	2	VERSA-04-42	VERSA-08-42
11	SCREW KIT	1	VERSA-04-50SLIM	VERSA-08-50SLIM

HYTORC owns all content, copyrights, trademarks and patents in this document. © 2022 HYTORC. Any unauthorized use or distribution of any material from this document is strictly prohibited.