

***THE square drive torque wrench from HYTORC<sup>®</sup>***  
***The proven MXT torque wrench***



Compact, ergonomic design and torque output of up to 74,000 Nm.

Single-piece tool housing, with splines on the cylinder side.

Single-piece tool housing, with teeth on the cylinder side.

Toothed square drive made from Vascomax, for a secure transfer of high torque.

Hydraulic hose connection rotatable by 360° and can be folded by 120° over the rotation axis.

60 positions for the reaction arm, lightweight construction with a centered, secure catch.

Safety screw and plug coupling for high output.

Reaction Pawl system for a constant rotating angle.

For torque, torque-angle and yield-point controlled tensioning methods.

Many high-quality accessories for all torque applications.

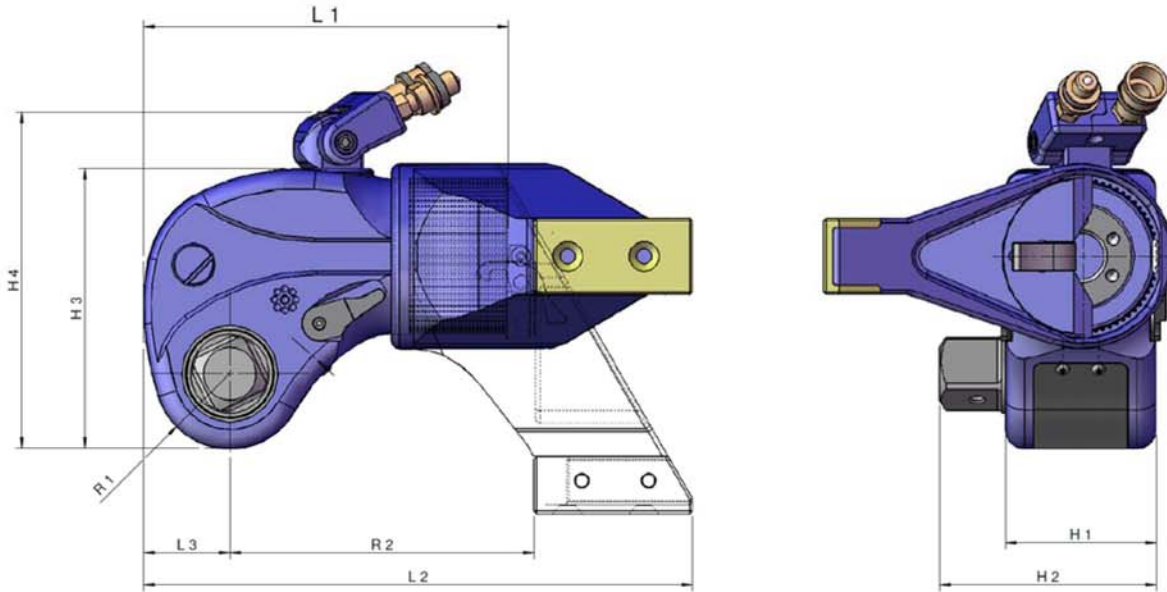
Direct drive and hex adapters.

The MXT™ torque wrenches are part of a proven HYTORC® generation of square drive torque wrenches, which were developed in 1994 and replaced the XL and XLT series of torque wrenches.

MXT™ torque wrenches are unique for the variety of applications for which they can be used. They can be used for almost all assembly procedures according to the VDI 2230 standard. The torque precision and a constant rotating angle with HYTORC® tools are of decisive importance in this regard.

In combination with a variety of hydraulic pump units, the MXT™ can be used for torque-angle controlled bolting method, as well as yield-point controlled bolting. All of this is available with an uninterrupted documentation of all bolting processes.

**Performance data and dimensions**



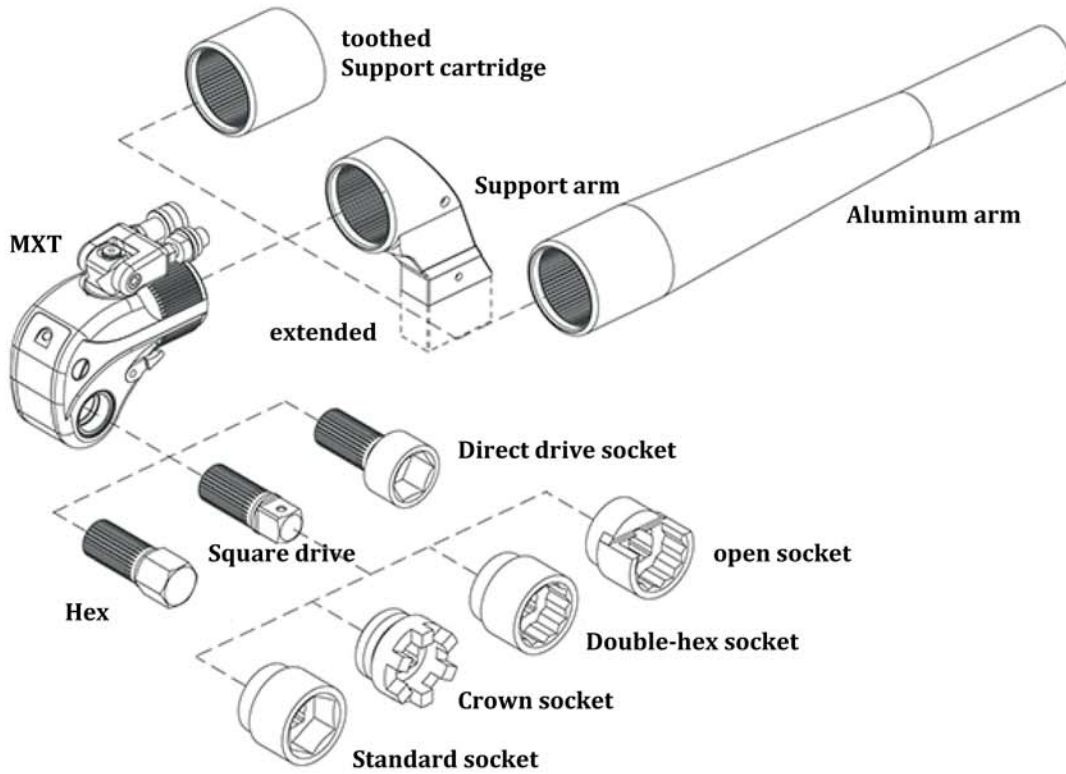
Model	Sq. drive	L1 (MM)	L2 (MM)	L3 (MM)
MXT-0.7	.75"	100.58	151.89	23.62
MXT-1	.75"	122.17	178.31	33.25
MXT-3	1"	159.51	243.59	36.83
MXT-5	1.5"	190.50	284.99	44.45
MXT-10	1.5"	239.78	355.85	55.12
MXT-20	2.5"	285.75	444.50	57.15
MXT-35	2.5"	353.31	538.99	81.79
MXT-50	2.5"	352.55	584.20	80.77

CAD files (STEP)

**3D files in a STEP format are available for all tools, which can be used for checking the installation situation. Talk to us at HYTORC.**

Model	H1 (MM)	H2 (MM)	H3 (MM)	H4 (MM)	R1 (MM)	R2 (MM)	Weight (KG)
MXT-0.7	41.15	64.26	76.20	108.97	20.57	84.33	1.70
MXT-1	50.29	71.88	92.20	124.46	24.89	97.79	2.00
MXT-3	66.80	98.81	125.22	155.19	28.70	135.38	4.48
MXT-5	76.20	123.44	146.05	183.39	39.62	162.56	7.54
MXT-10	100.33	148.84	199.14	223.52	49.53	195.33	13.28
MXT-20	120.14	181.10	223.77	259.84	66.04	260.35	23.18
MXT-35	147.83	218.69	276.86	313.94	75.69	322.07	43.20
MXT-50	166.62	233.68	292.10	358.14	80.77	322.58	54.00

**Possible drive adapters and safety reaction arms**



**Typical applications**



**MXT-5**



**MXT-10 being used on a scrap press**



**MXT-1 for vehicle construction**



**XLT-10 on a flange**



**MXT-3 for the assembly of a caterpillar drive, according to the selected rotating angle**

