

The World's Most Trusted Industrial Torque and Tension Systems

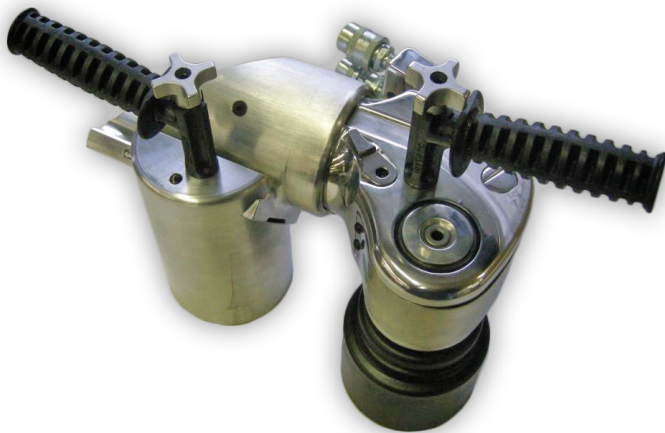
MXT-SA™ SERIES

Hydraulic Square Drive Torque Wrench



HYTORC presents the High-Strength MXT-SA versions of its 3/4-inch, 1-inch and 1 1/2-inch square-drive tools.

Providing an unmatched level of strength in a quality torque tool, the MXT-SA has been designed for heavy production use. Although the SA versions have the same dimensions as their standard MXT counterparts; they are build with redesigned internal parts made of stronger materials to increase the tool longevity under continuous use.



An endurance tool for continuous use in the harsh maintenance and the demanding production environments.

*Super-Alloys and Superior technology.
Your 21st Century Edge!*



24 Hour SERVICE

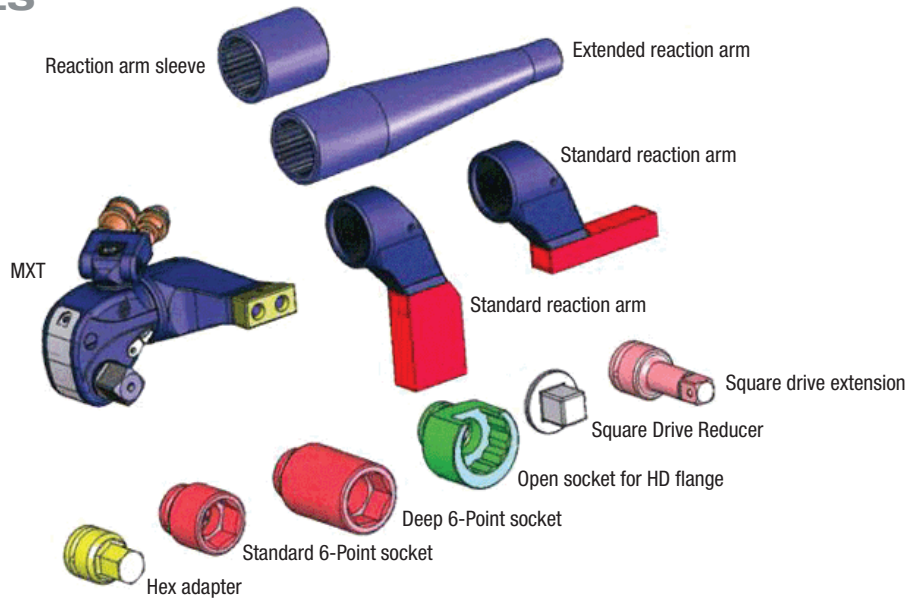
800-FOR-HYTORC

www.hytorc.com

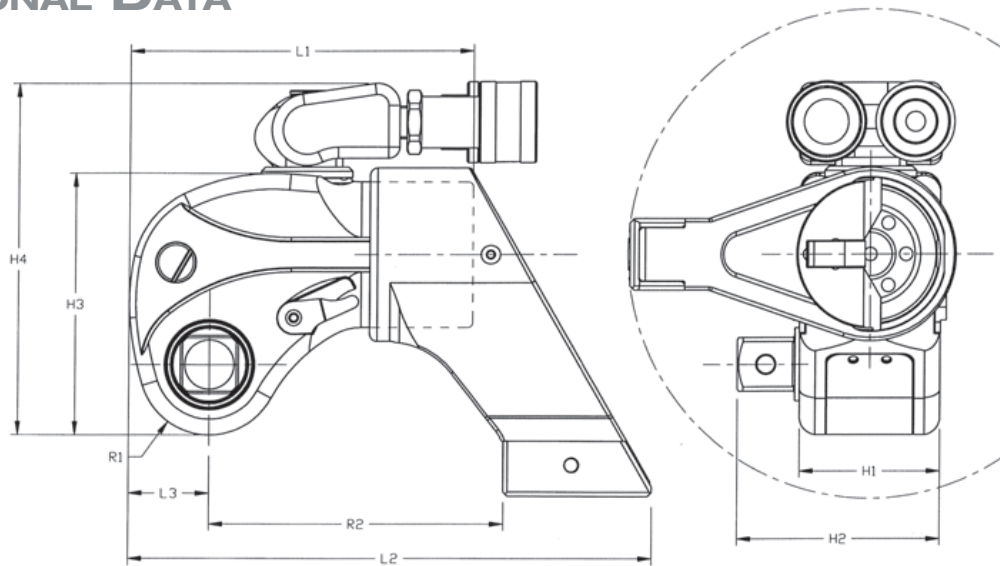
HYTORC®
Since 1968

333 RT. 17 N. MAHWAH, NJ 07430

ACCESSORIES



DIMENSIONAL DATA



DRIVE	L1	L2	L3	H1	H2	H3	H4	R1	R2	Weight	Min Torque	Max Torque
											Lbs./kN.	Ft. Lbs./Nm
	Inches/mm											
MXT-.7-SA	¾"	3.96/100.6	5.98/151.9	0.93/23.6	1.62/41.2	2.53/64.3	3.00/76.2	4.25/108.0	0.81/20.6	3.32/84.3	3.3/1.5	60/81 397/538
MXT-1-SA	¾"	4.88/123.9	7.33/186.2	1.13/28.7	1.97/50.0	2.85/72.4	3.66/93.0	4.9/124.5	0.98/25.0	4.12/104.7	4.45/2.0	201/273 1,340/1,817
MXT-3-SA	1"	6.34/161.0	9.6/243.8	1.51/38.4	2.63/66.9	3.81/96.8	4.88/123.9	6.12/155.5	1.31/33.3	5.32/135.1	9.95/4.5	485/657 3,230/4,379
MXT-5-SA	1-½"	7.61/193.3	11.52/292.6	1.81/46.0	3.16/80.3	4.92/125.0	5.85/148.6	7.22/183.4	1.57/39.9	6.4/162.6	16.75/7.6	839/1,137 5,590/7,579
MXT-10-SA	1-½"	9.51/241.6	14.38/365.3	2.26/57.4	3.95/100.3	5.62/142.8	7.32/185.9	8.80/223.5	1.96/49.8	7.97/202.4	24.95/11.3	1,200/1,627 8,000/10,846