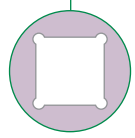


5 Holders and bits

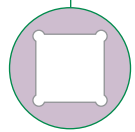
- Hexagon Holders and Hexagon Bits 68 - 71
- Hexagon Holders and Torx Bits 72



bit holders

bit holders

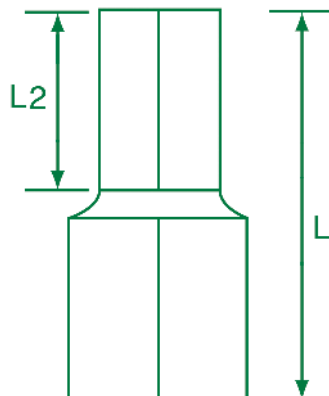
Part No	Drive	Hex	Type	Kr. List
HOLD0607	3/8	7/16	Grubscrew	95.00
HOLD0807	1/2	7/16	Grubscrew	143.00
HOLD08M22	1/2	22	Grubscrew	190.00
HOLD12M22	3/4	22	Grubscrew	285.00
HOLD16M22	1	22	Grubscrew	304.00
HOLD1620	1	1-1/4	Grubscrew	POA
HOLD2420	1-1/2	1-1/4	Grubscrew	POA
HOLD2428	1-1/2	1-3/4	Grubscrew	POA



7/16" hexagon bits

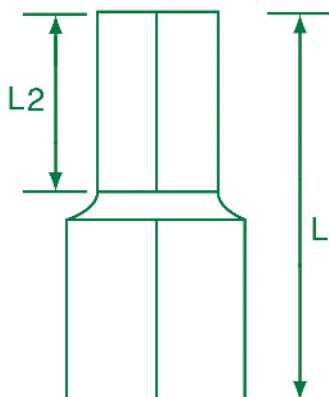
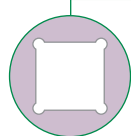
mm

Part No	Size mm	L2 mm	L mm	Kr. List
BIT07M06	6	6	35	105.00
BIT07M08	8	8	35	105.00
BIT07M10	10	10	35	105.00
BIT07M12	12	10	35	105.00
BIT07M14	14	10	35	105.00



AF

Part No	Size inch	L2 mm	L mm	Kr. List
BIT0704	1/4	6	35	105.00
BIT0705	5/16	8	35	105.00
BIT0706	3/8	10	35	105.00
BIT0707	7/16	10	35	105.00
BIT0708	1/2	10	35	105.00
BIT0709	9/16	10	35	105.00



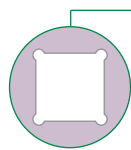
22mm hexagon bits

mm

Part No	Size mm	L2 mm	L mm	Kr. List
BIT14M10	10	20	55	162.00
BIT14M12	12	20	55	162.00
BIT14M14	14	20	55	162.00
BIT14M17	17	20	55	162.00
BIT14M19	19	20	55	162.00
BIT14M22	22	20	55	162.00
BIT14M24	24	20	55	209.00
BIT14M27	27	20	55	228.00

AF

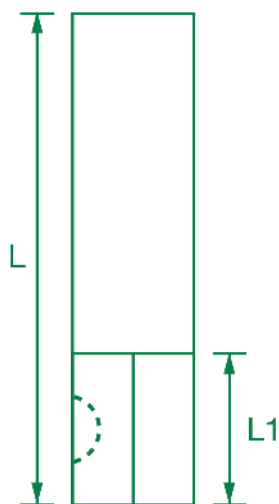
Part No	Size inch	L2 mm	L mm	Kr. List
BIT1406	3/8	20	55	162.00
BIT1407	7/16	20	55	162.00
BIT1408	1/2	20	55	162.00
BIT1409	9/16	20	55	162.00
BIT1410	5/8	20	55	162.00
BIT1411	11/16	20	55	162.00
BIT1412	3/4	20	55	162.00
BIT1413	13/16	20	55	162.00
BIT1414	7/8	20	55	162.00
BIT1415	15/16	20	55	209.00
BIT1416	1	20	55	209.00
BIT1417	1-1/16	20	55	228.00



22mm hexagon bits - long

mm

Part No	Size mm	L1 mm	L mm	Kr. List
BITM22M10	10	27	107	190.00
BITM22M12	12	27	107	190.00
BITM22M14	14	27	107	190.00
BITM22M17	17	27	107	190.00
BITM22M19	19	27	107	190.00
BITM22M22	22	27	107	209.00
BITM22M24	24	27	107	228.00
BITM22M27	27	27	107	266.00



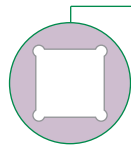
female torx

Part No	Size	L1 mm	L mm	Kr. List
FTBITM22E18	E18	27	107	190.00
FTBITM22E20	E20	27	107	209.00
FTBITM22E22	E22	27	107	228.00
FTBITM22E24	E24	27	107	247.00

male torx

Part No	Size	L1 mm	L mm	Kr. List
TBITM22T60	T60	27	107	209.00
TBITM22T70	T70	27	107	209.00
TBITM22T80	T80	27	107	228.00
TBITM22T90	T90	27	107	228.00
TBITM22T100	T100	27	107	247.00





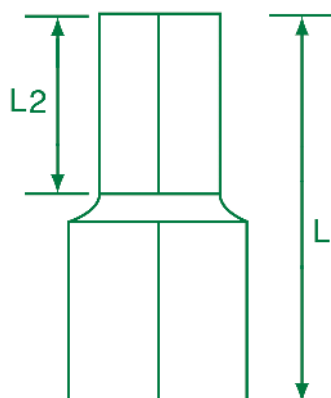
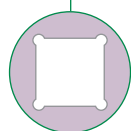
1-1/4" hexagon bits

mm

Part No	Size mm	L2 mm	L mm	Kr. List
BIT20M22	22	30	65	POA
BIT20M24	24	30	65	POA
BIT20M27	27	30	65	POA
BIT20M30	30	30	65	POA
BIT20M32	32	30	65	POA
BIT20M33	33	30	65	POA
BIT20M36	36	30	65	POA

AF

Part No	Size inch	L2 mm	L mm	Kr. List
BIT2016	1	30	65	POA
BIT2018	1-1/8	30	65	POA
BIT2019	1-3/16	30	65	POA
BIT2020	1-1/4	30	65	POA
BIT2021	1-5/16	30	65	POA



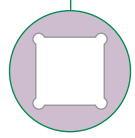
1-3/4" hexagon bits

mm

Part No	Size mm	L2 mm	L mm	Kr. List
BIT28M36	36	40	80	POA
BIT28M41	41	40	80	POA
BIT28M46	46	40	80	POA
BIT28M50	50	40	80	POA
BIT28M55	55	40	80	POA

AF

Part No	Size inch	L2 mm	L mm	Kr. List
BIT2822	1-3/8	40	80	POA
BIT2824	1-1/2	40	80	POA
BIT2826	1-5/8	40	80	POA
BIT2828	1-3/4	40	80	POA
BIT2830	1-7/8	40	80	POA
BIT2832	2	40	80	POA



torx bits and holders

bit holders

Part No	Drive	Hex	Type	Kr. List
HOLD0404	1/4	1/4	Circlip	76.00
HOLD0405	1/4	5/16	Circlip	76.00
HOLD0604	3/8	1/4	Circlip	86.00
HOLD0605	3/8	5/16	Circlip	86.00
HOLD0608	3/8	1/2	Circlip	86.00
HOLD0804	1/2	1/4	Circlip	95.00
HOLD0805	1/2	5/16	Circlip	95.00
HOLD0808	1/2	1/2	Circlip	114.00
HOLD0604M	3/8	1/4	Magnetic	114.00
HOLD0605M	3/8	5/16	Magnetic	114.00
HOLD0804M	1/2	1/4	Magnetic	133.00
HOLD0805M	1/2	5/16	Magnetic	133.00
HOLD0604QR	3/8	1/4	Q/Release	285.00
HOLD0804QR	1/2	1/4	Q/Release	285.00

Part No	Hex	Size	L mm	Kr. List
TBIT04T10	1/4	T10	25	POA
TBIT04T15	1/4	T15	25	POA
TBIT04T20	1/4	T20	25	POA
TBIT04T25	1/4	T25	25	POA
TBIT04T27	1/4	T27	25	POA
TBIT04T30	1/4	T30	25	POA
TBIT04T40	1/4	T40	25	POA
TBIT04T45	1/4	T45	25	POA

Part No	Hex	Size	L mm	Kr. List
TBIT05T20	5/16	T20	35	POA
TBIT05T25	5/16	T25	35	POA
TBIT05T27	5/16	T27	35	POA
TBIT05T30	5/16	T30	35	POA
TBIT05T40	5/16	T40	35	POA
TBIT05T45	5/16	T45	35	POA
TBIT05T50	5/16	T50	35	POA
TBIT05T55	5/16	T55	35	POA