



HYTORCWIND

333 Route 17 North  
Mahwah, NJ 07430

Tel.: +1-201-512-9500  
Fax.: +1-201-512-9615

24/7Support: 1-800-367-4986  
[www.HYTORCWIND.com](http://www.HYTORCWIND.com)



**Operating Pressure max. 87psi [6 bar]**

**Compact, ergonomic design with torque output up to 5,160 ft.lbs. [7.000 Nm]**

**Square Drive 3/4" bis 1-1/2"**

**3 different jGun models**

**Ergonomic handle for easy operation in the best working position**

**Gearbox and drive unit are freely rotatable around the bolt axis at any torque output.**

**Safe coupling system and low-noise muffler system**

**Various reaction systems available**

**Equipped for use with the DISC™, CLAMP™, SmartDISK™ and the SmartSTUD™**

## **The HYTORC® jGUN revolutionizes bolting**

During development of the jGUN™ the unprecedented compactness, the ergonomic handling and high torque accuracy were the main criteria. At the same time, HYTORC® specifications for reliability, industrial capability and longevity had to be achieved.

The jGUN™ is the world first pneumatic torque gun, which can be operated without a reaction arm. In combination with the DISC™ and the DISC™-Driver, there are no reaction forces outside the bolt axis. The torque is applied precisely, impact-free and continuously to the bolt. With the use of a reaction arm, any standard bolt can be tightened fast and precise. With the pull of the trigger, one achieves accurate torque outputs without vibration and noise.

The jGUN™ is easy to operate and achieves high forces through a planetary gear, if needed for loosening corroded bolts.

HYTORCWIND

333 Route 17 North  
Mahwah, NJ 07430

Tel.: +1-201-512-9500  
Fax.: +1-201-512-9615

**24/7Support: 1-800-367-4986**  
[www.HYTORCWIND.com](http://www.HYTORCWIND.com)

**Benefits:**

- stageless torque adjustment
- exact shut-off at the adjusted torque value ( ± 10%)
- heavy-duty gearbox and drive unit made from specific alloy
- fast change-over from DISC™-Drive to reaction arm and special fixtures
- fast shift between tighten and loosen
- low weight and ideal weight balance
- compact planetary gear with small radius

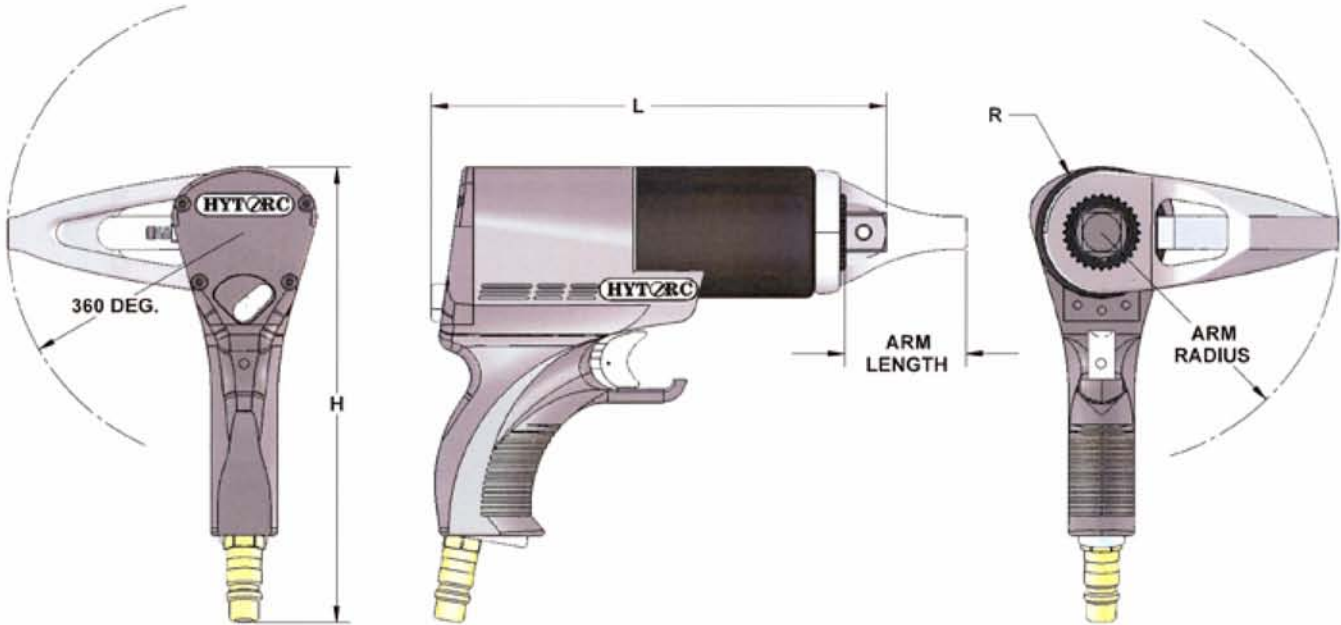
**Produktivität :**

- fast loosening of corroded bolts with high torque output
- accurate bolting methods for reliable bolt connections
- high productivity by fast bolting procedures
- low cost per unit due to low-wear, robust gear components
- high variability due to fast change-over from different fixtures and reaction arms
- reduction of noise-level and health costs, as there is no vibration and impact transferred to the human body
- all-purpose tool due to compact dimensions





**jGUN SS - Single Speed**

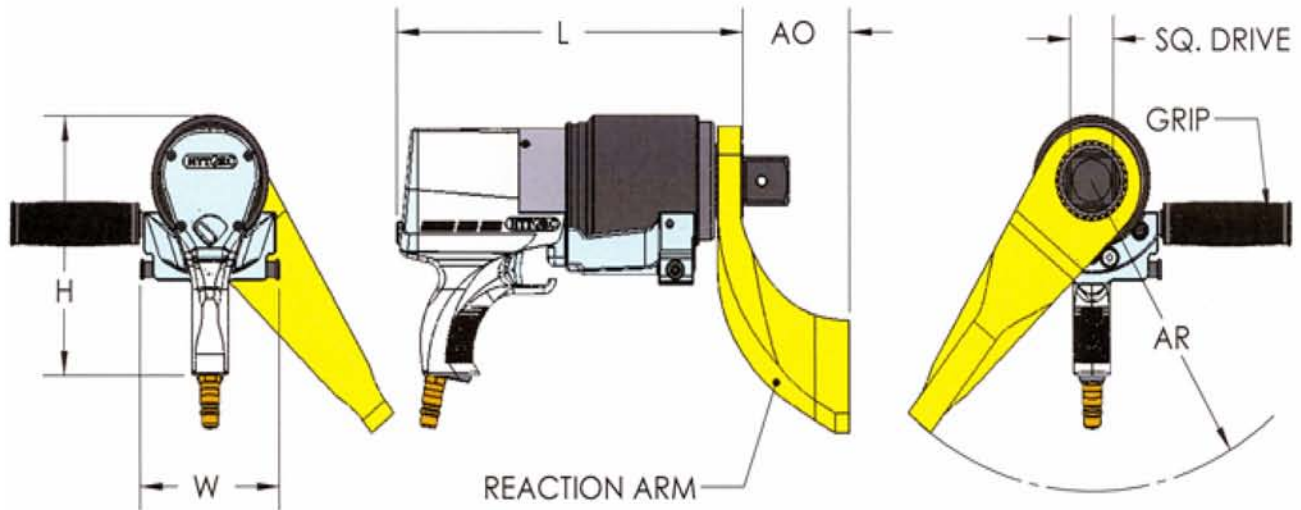


**jGUN SS - Single Speed - Dimensions**

Typ	jGUN-0.15 SS	jGUN-0.5 SS	jGUN-1 SS	jGUN-3 SS	jGUN-5 SS
Torque min.	90	237	271	881	1.627
Torque max.	254	678	1.695	4.203	7.050
Square Drive	3/4"	3/4"	3/4"	1"	1 1/2"
Bolt Size* up to [Imperial]	3/4"	1"	1-3/8"	1-7/8"	2"
Bolt Size* up to [Metric]	M20	M27	M33	M48	M52
Height (H)	220 mm	220 mm	220 mm	220 mm	241 mm
Länge (L)	196mm	216 mm	219 mm	245 mm	312 mm
Radius (R)	31 mm	31 mm	31 mm	38 mm	46 mm
Re'arm Height (Arm lenght)	61 mm	61 mm	61 mm	84 mm	97 mm
Re'arm Radius (Arm Radius)	113 mm	113 mm	113 mm	133 mm	148 mm
Weight without Re'arm (kg)	3,1	3,3	4,0	5,3	9,1
Weight with Re'arm (kg)	3,6	3,8	4,5	6,8	12,2

\* = Depending on the bolt-load, smaller or bigger bolt sizes can be utilised.

**jGUN DS - Double Speed**



**jGUN DS - Dual Speed - Dimensions**

Typ	jGUN-1 DS	jGUN-3 DS	jGUN-5 DS
Torque min.	270	880	1672
Torque max.	1694	4203	7050
Square Drive (SQ)	3/4"	1"	1 1/2"
Bolt Size* up to	1-3/8"	1-7/8"	2"
Bolt Size* up to	M33	M48	M52
Height (H)	191 mm	196 mm	206 mm
Length (L)	216 mm	280 mm	308 mm
Radius (AR)	102 mm	127 mm	124 mm
Height (AO)	58 mm	85 mm	95 mm
Re'arm Radius (AR)	115 mm	132 mm	246 mm
Weight without Re'arm	4,0	7,7	12,5
Weight with Re'arm	4,6	9,2	15,6

\* = Depending on the bolt-load, smaller or bigger bolt sizes can be utilised.

HYTORCWIND

333 Route 17 North  
Mahwah, NJ 07430

Tel.: +1-201-512-9500  
Fax.: +1-201-512-9615

24/7 Support: 1-800-367-4986  
[www.HYTORCWIND.com](http://www.HYTORCWIND.com)

**Applications**



jGun-3 with ratchet link on heat exchanger



jGun-0.5 on 19mm Alan Bolts



jGun-3 on Alan Bolts



jGun-1 on a bundle of gas cylinders



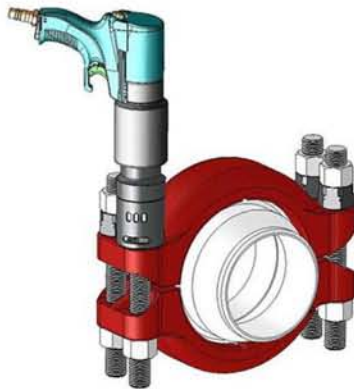
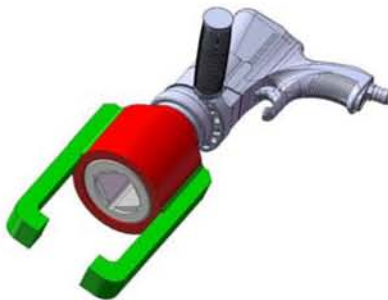
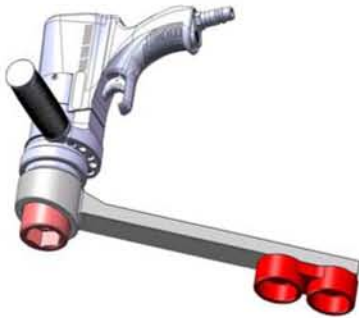
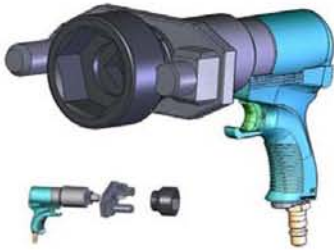
jGun-1-DS with M30 Clamp Nut



jGun-1 with LoaDisc



Application **designed from HYTORC CAD-DesignCenter**



HYTORCWIND

333 Route 17 North  
Mahwah, NJ 07430

Tel.: +1-201-512-9500  
Fax.: +1-201-512-9615

24/7Support: 1-800-367-4986  
[www.HYTORCWIND.com](http://www.HYTORCWIND.com)