

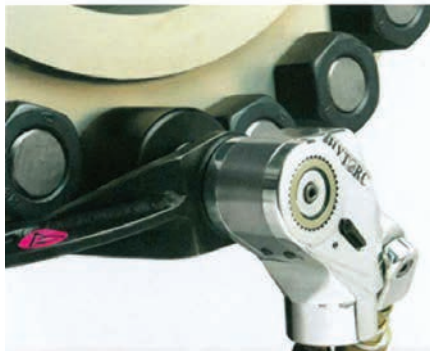
The World's Most Trusted Industrial Torque and Tension Systems

AVANTI™ SERIES

Upgradeable for use with HYTORC Tensioning Systems



- The first system capable of achieving consistent calibrated load accuracy within 5% with torque accuracy of $\pm 3\%$
- Inline reaction reduces side load and increases tool durability
- 360° positioning of the reaction arm around the square drive
- Uniswivel technology for free movement and positioning of tool and hoses
- Increased safety with remote, hands-free operation, even on inverted applications
- Four-in-One system for pure-tension, torque, torque-angle and yield point bolting
- TwinTORC or SimulTORC Bolting Systems for tightening multiple bolts at the same time
- The smallest space requirements of all hydraulic square drive torque tensioners
- Available in 10 Sizes with Torque Output from 115 ft-lbs to over 138,000 ft-lbs



TRADITIONAL TORQUE

Traditional torque can be applied with a standard reaction arm or custom reaction fixtures.



HANDS-FREE TORQUE

Safe, accurate and hands-free; adding the HYTORC Washer™ under your hex nut eliminates the need for reaction arms and backup wrenches.



LOAD ACCURATE TENSION

The HYTORC Nut™ replaces traditional hex nuts for the highest level of load accuracy available today. Achieve straight-pull tensioning without hand torquing, applying heat or taking measurements.

24 Hour SERVICE

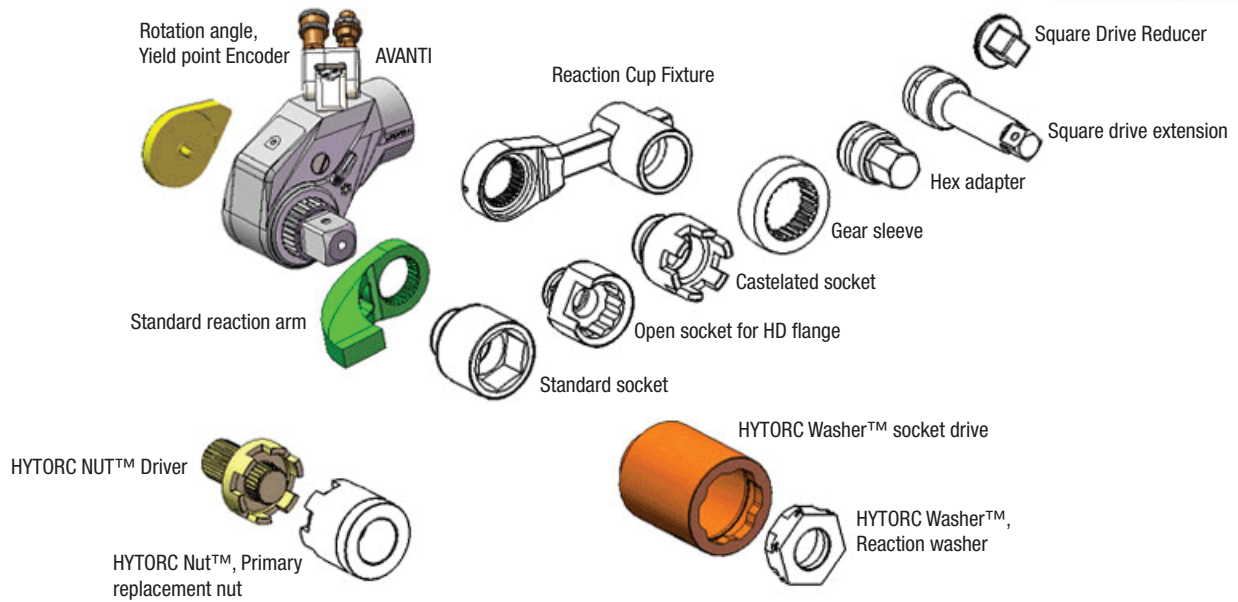
800-FOR-HYTORC

www.hytorc.com

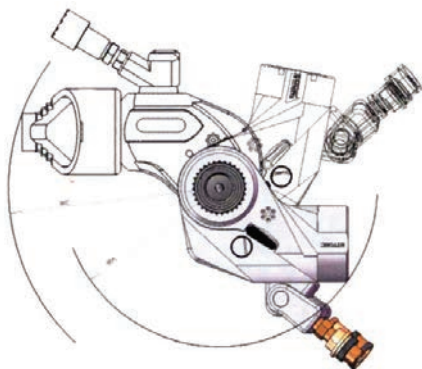
HYTORC®
Since 1968

333 RT. 17 N. MAHWAH, NJ 07430

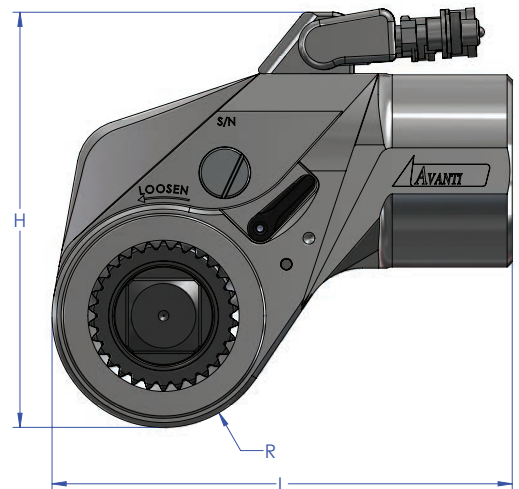
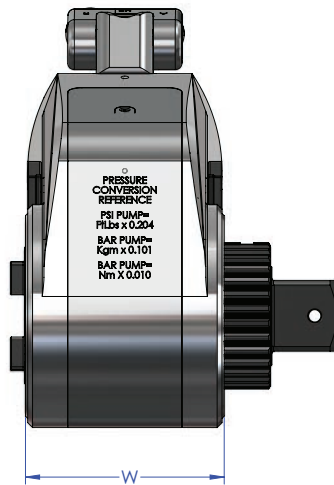
ACCESSORIES



DIMENSIONAL DATA



Smallest radius requirements of any Square Drive Torque Wrench



Model	DRIVE	Inches/mm				Weight Lbs./Kg	Max Bolt Load Lbs./kN	Min Torque		Max Torque
		R	L	H	W			Ft. Lbs./Nm		
AV-7	¾"	0.99 /25.0	4.14/105.2	4.21/106.9	1.79/45.3	3.9/1.8	61,000/271	113/153		767/1040
AV-1	¾"	1.13 /28.6	5.04/127.9	4.92/124.9	2.18/55.2	4.3/2.0	90,000/400	196/266		1,284/1,741
AV-3	1"	1.50 /38.1	6.53/165.9	6.31/160.2	2.9/73.7	9.1/4.1	177,000/787	428/580		2,861/3,879
AV-5	1 ½"	1.86 /47.2	8.83/199.5	7.41/188.2	3.38/85.9	14.6/6.6	231,000/1,027	802/1,087		5,459/7,401
AV-8	1 ½"	2.07 /52.5	9.92/224.2	8.38/212.7	3.86/98.0	19.8/9.0	326,000/1,450	1,150/1,559		7,760/10,521
AV-10	1 ½"	2.38 /60.3	11.64/252.0	9.29/236.0	4.35/110.5	26.9/12.2	360,000/1,601	1,840/24,95		12,456/16,888
AV-20	2 ½"	2.60 /66.0	11.64/295.7	10.26/260.6	5.07/128.8	46.7/21.2	565,000/2,513	2,760/3,742		17,890/24,255
AV-35	2 ½"	3.19/81.0	14.31/363.4	12.33/313.2	6.51/165.4	82.4/37.5	789,000/3,509	4,955/6,718		34,060/46,179
AV-50	2 ½"	3.95 /100.3	16.3/414.0	14.03/356.4	7.04/178.8	127.4/57.9	980,000/4,359	7,462/10,117		49,750/67,451
AV-80	3 ½"	4.69 /119.1	19.52/495.8	16.84/427.7	7.49/190.2	280.5/127.5	1,200,000/5,338	12,740/17,270		84,921/115,136
AV-130	3 ½"	5.31 /134.9	22.7/577.3	20.14/511.6	8.5/215.9	496/225.5	1,500,000/6,672	13,000/17,625		138,500/187,778